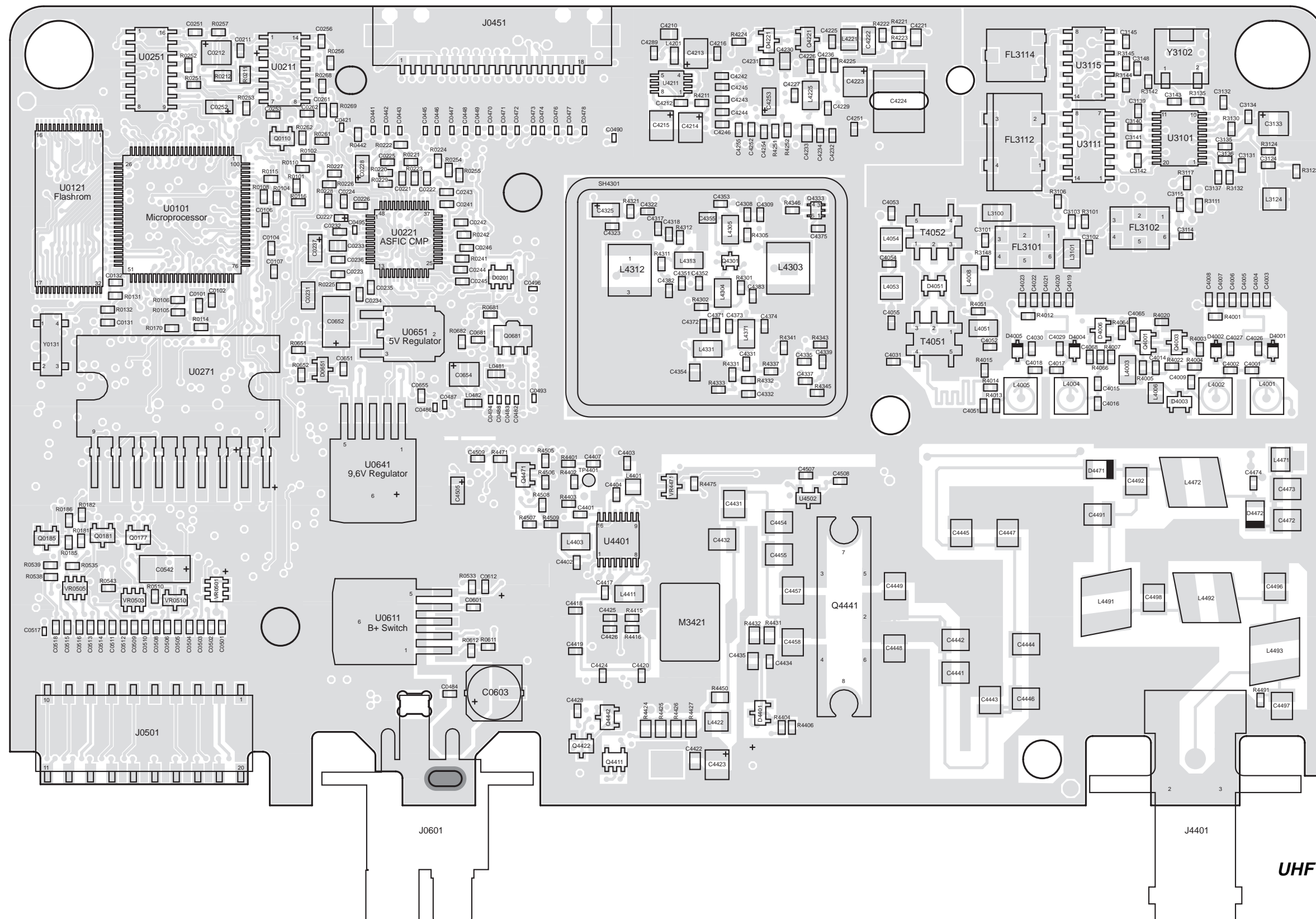
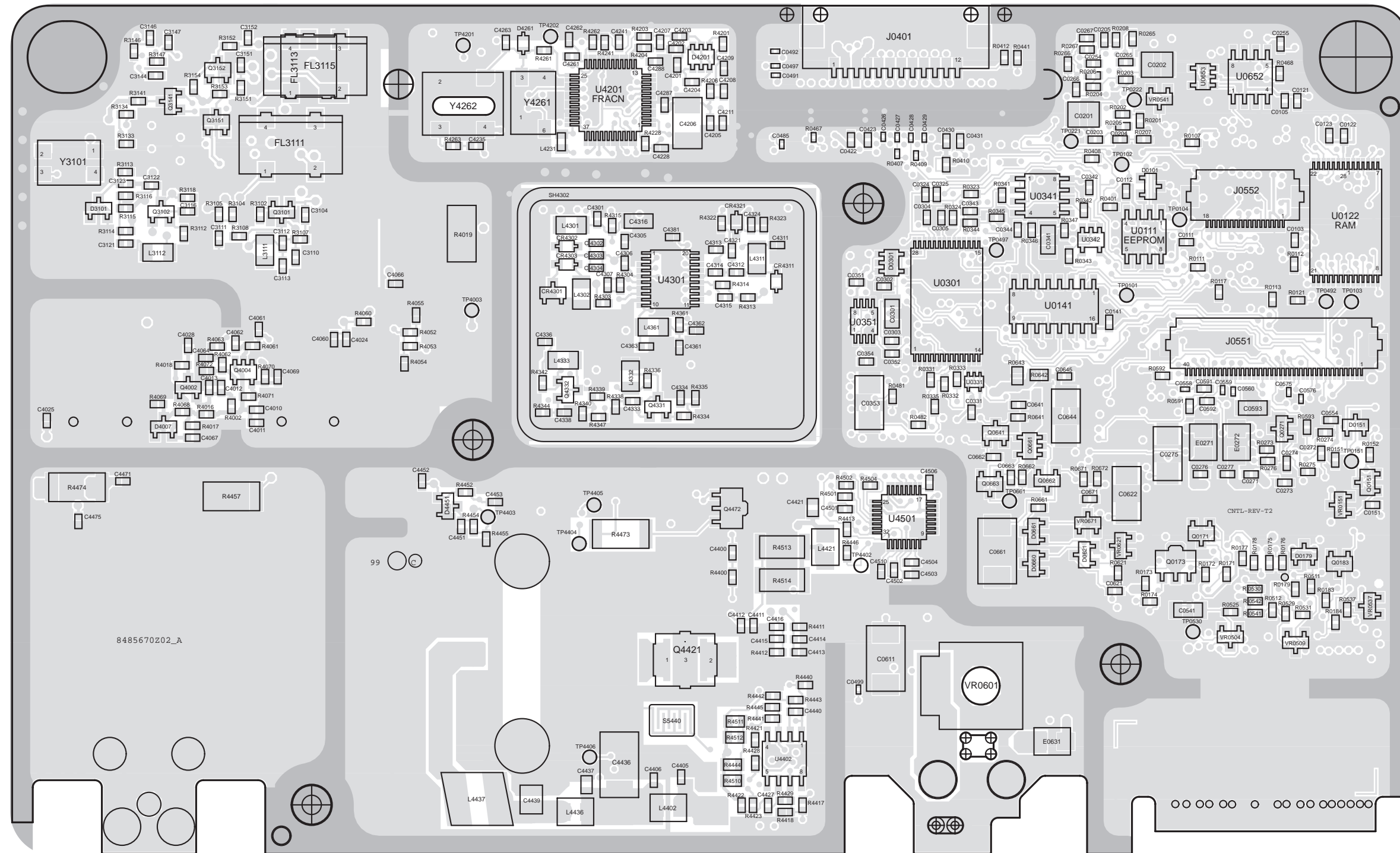


2.0 UHF 1-25W Band1 PCB 8485670z02 / Schematics



TOP METAL

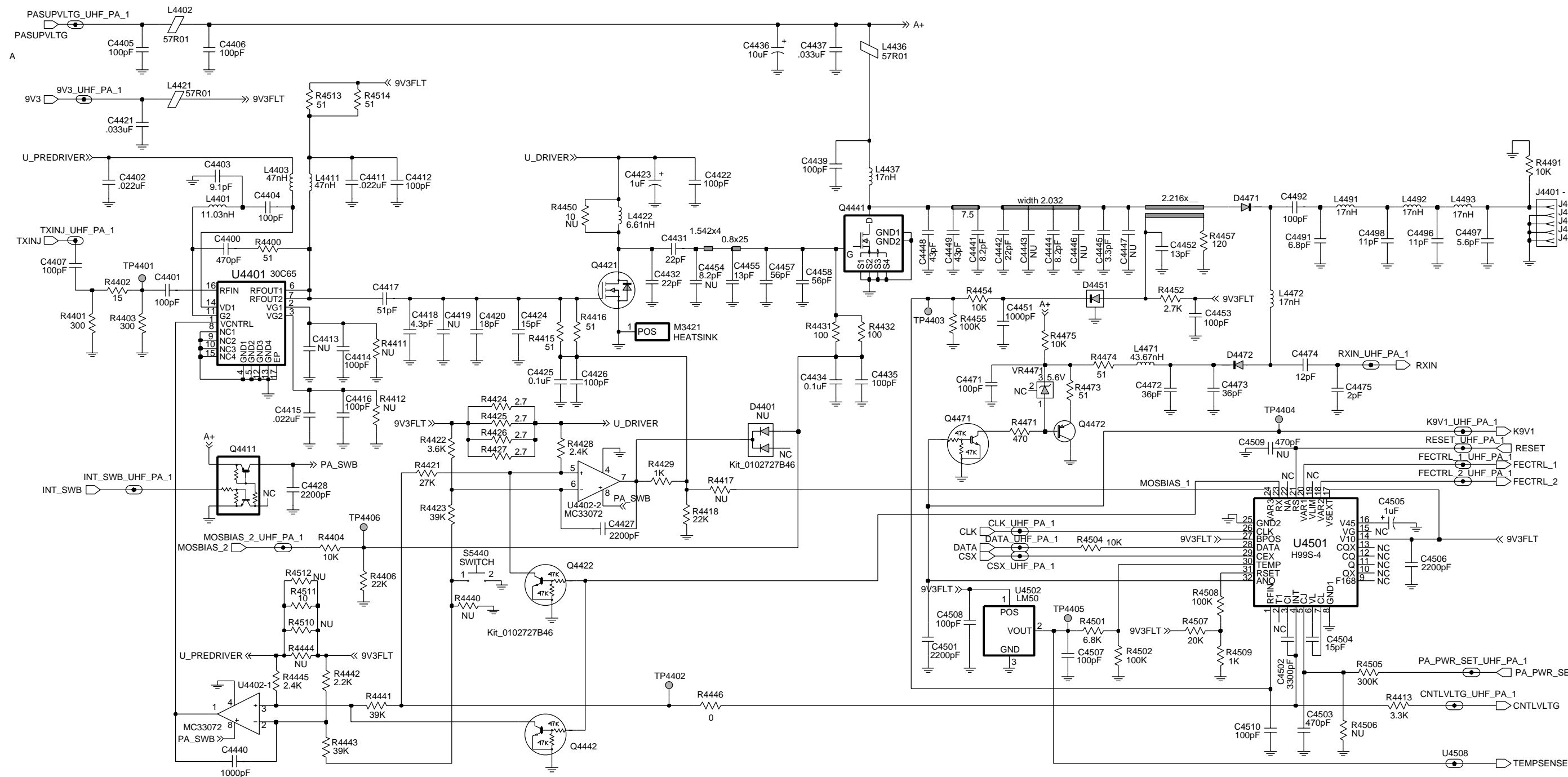
ZWG0130518-A
UHF (403-470MHz) 1-25W
8485670z02 Top Side



8485670z02_A

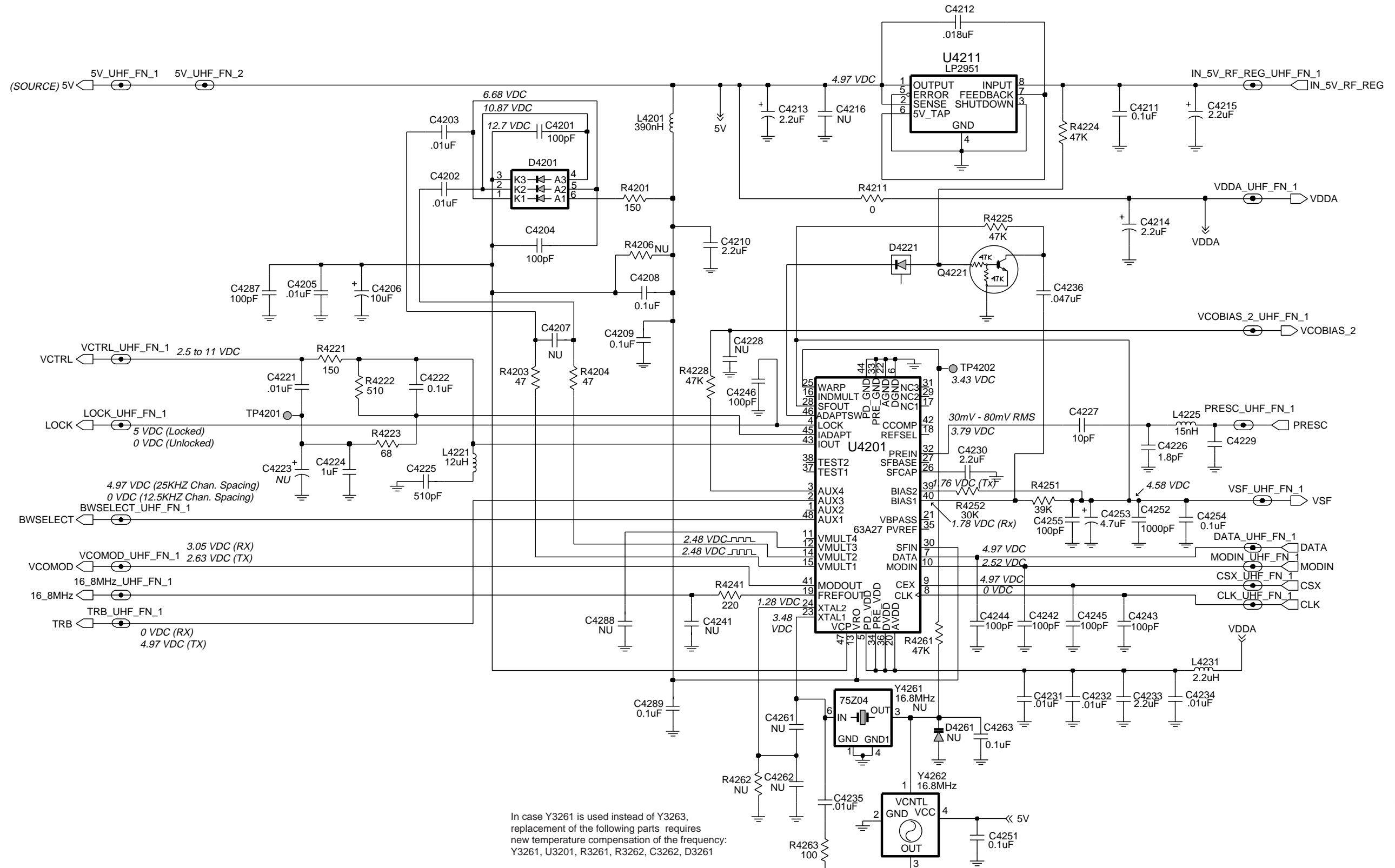
ZWG0130519-A

UHF (403-470MHz) 1-25W 8485670z02 Top Side



ZWG0130520-B

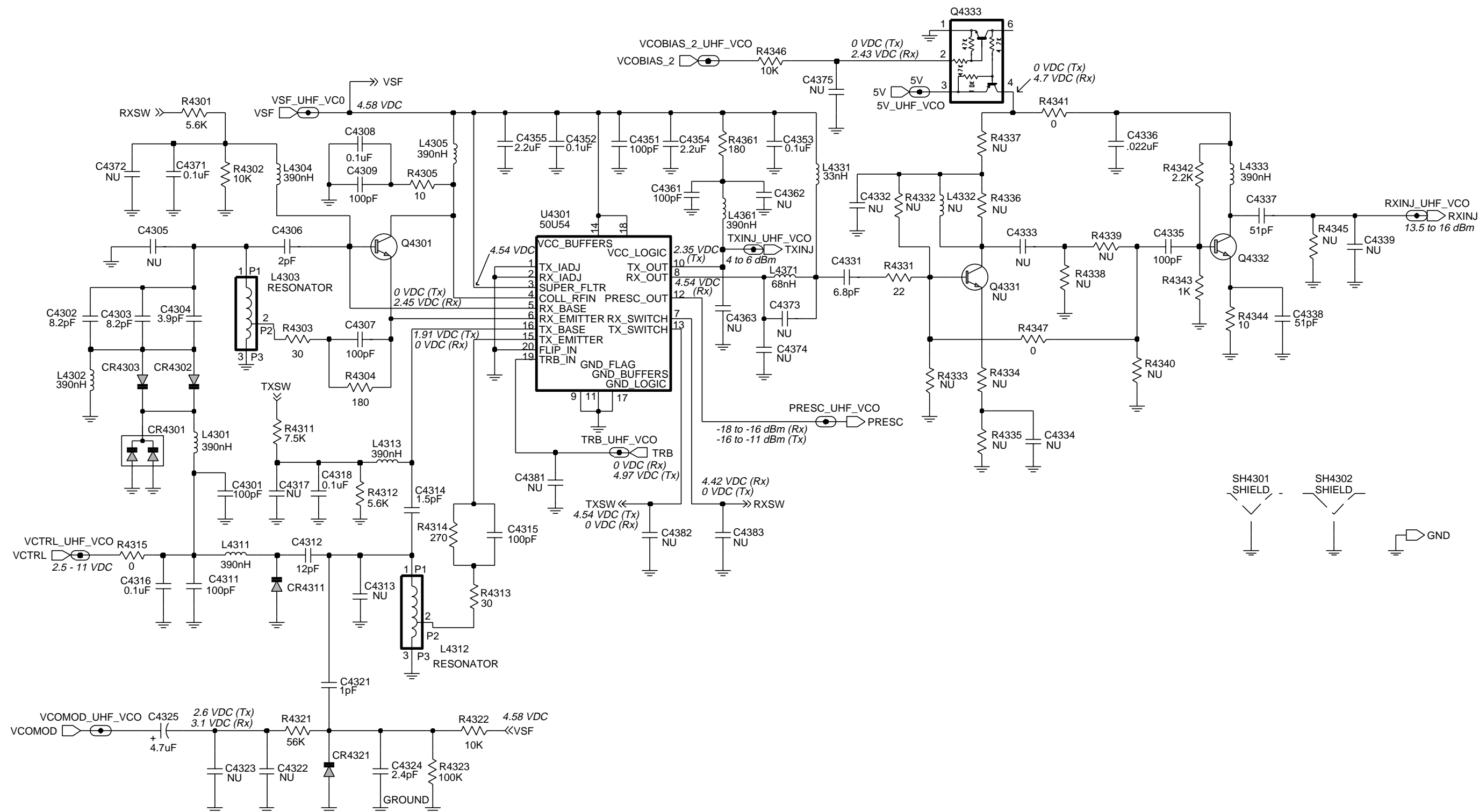
UHF (403-470MHz) Power Amplifier 1 - 25W



UHF (403-470 MHz) FRACN

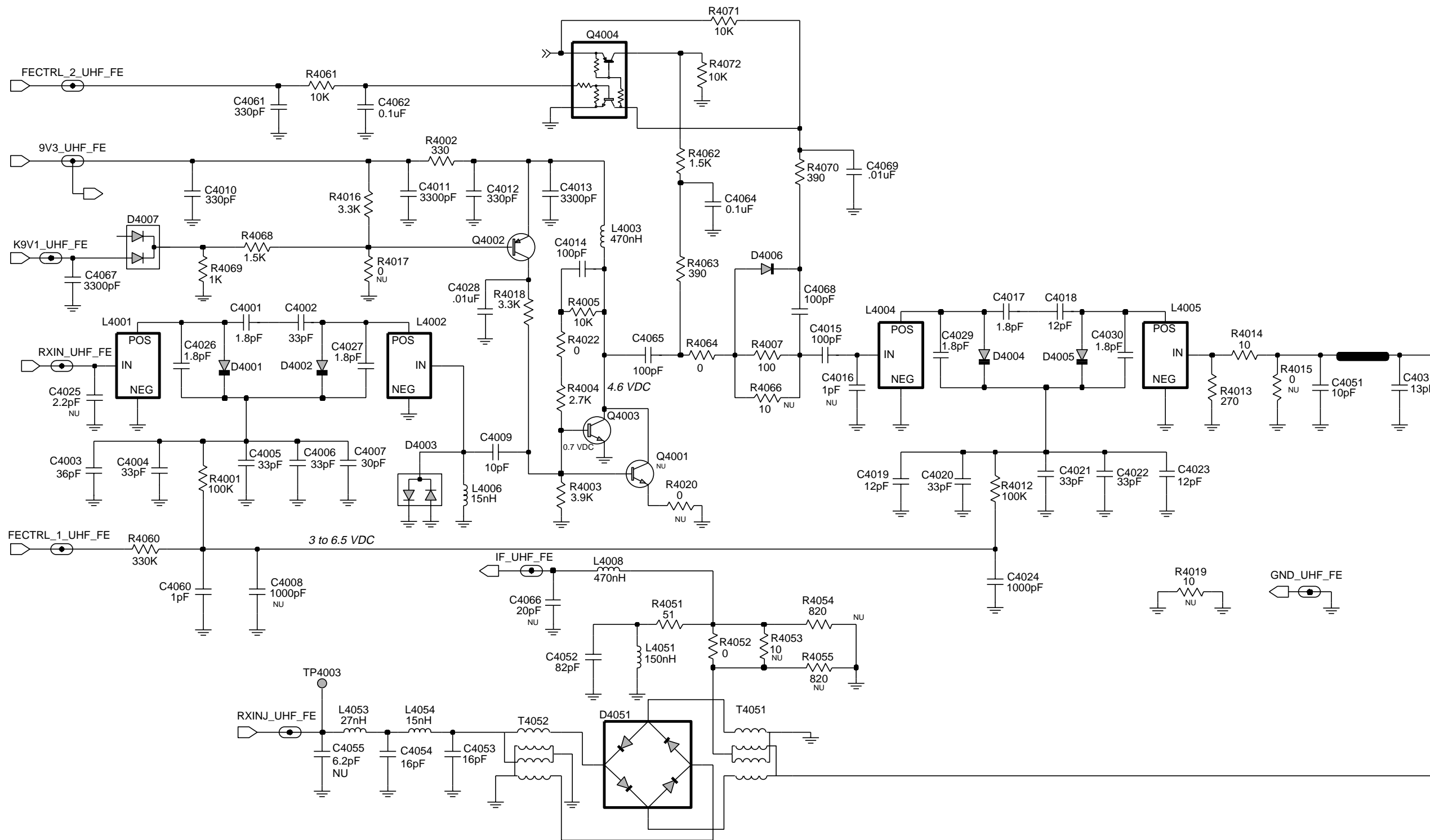
In case Y3261 is used instead of Y3263, replacement of the following parts requires new temperature compensation of the frequency: Y3261, U3201, R3261, R3262, C3262, D3261

ZWG0130521-B



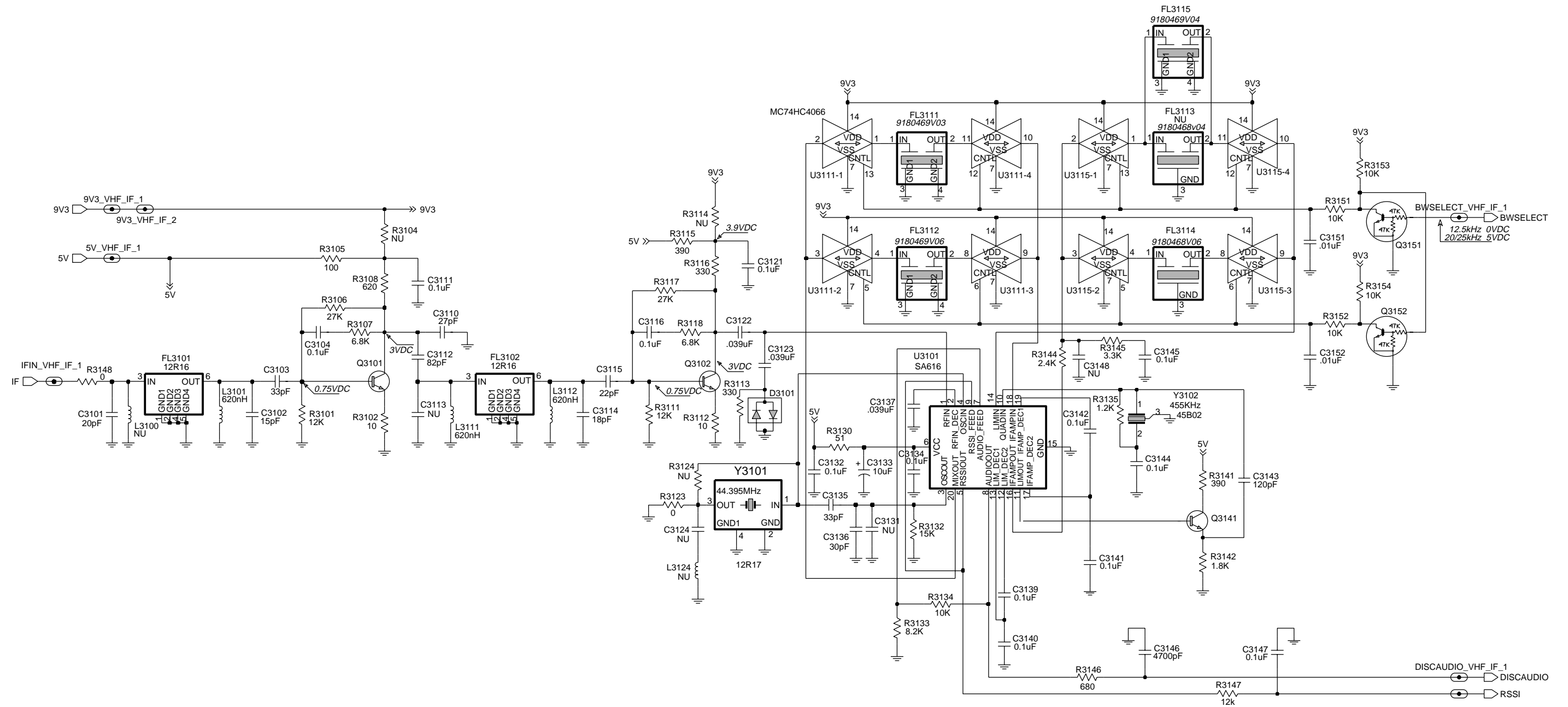
ZWG0130523-A

UHF (403-470 MHz) Voltage Controlled Oscillator



UHF (403-470 MHz) Receiver Front End

ZWG0130524-B



ZWG0130522-A

UHF (403-470 MHz) IF

2.1 UHF PCB 8485670z02 Parts List 1-25W

Circuit Ref	Motorola Part No.	Description
C3101	2113740F34	20pF
C3102	2113740F31	15pF
C3103	2113740F39	33pF
C3104	2113743E20	0.1uF
C3110	2113740F37	27pF
C3111	2113743E20	0.1uF
C3112	2113740F49	82pF
C3114	2113740F33	18pF
C3115	2113740F35	22pF
C3116	2113743E20	0.1uF
C3121	2113743E20	0.1uF
C3122	2113743E11	0.039uF
C3123	2113743E11	0.039uF
C3132	2113743E20	0.1uF
C3133	2311049A57	10uF
C3134	2113743E20	0.1uF
C3135	2113740L30	33pF
C3136	2113740L29	30pF
C3137	2113743E11	0.039uF
C3139	2113743E20	0.1uF
C3140	2113743E20	0.1uF
C3141	2113743E20	0.1uF
C3142	2113743E20	0.1uF
C3143	2113740F53	120pF
C3144	2113743E20	0.1uF
C3145	2113743E20	0.1uF
C3146	2113741F41	4700pF
C3147	2113743E20	0.1uF
C3151	2113741F49	0.01uF
C3152	2113741F49	0.01uF
C4001	2113740F09	1.8pF
C4002	2113740F39	33pF
C4003	2113740F40	36pF
C4004	2113740F39	33pF
C4005	2113740F39	33pF
C4006	2113740F39	33pF
C4007	2113740F38	30pF
C4008	2113741F25	1000pF
C4009	2113740F27	10pF
C4010	2113741F13	330pF
C4011	2113741F37	3300pF
C4012	2113741F13	330pF
C4013	2113741F37	3300pF
C4014	2113740F51	100pF
C4015	2113740F51	100pF
C4017	2113740F09	1.8pF
C4018	2113740F29	12pF
C4019	2113740F29	12pF
C4020	2113740F39	33pF
C4021	2113740F39	33pF

Circuit Ref	Motorola Part No.	Description
C4022	2113740F39	33pF
C4023	2113740F29	12pF
C4024	2113741F25	1000pF
C4026	2113740F09	1.8pF
C4027	2113740F09	1.8pF
C4028	2113741F49	0.01uF
C4029	2113740F09	1.8pF
C4030	2113740F09	1.8pF
C4031	2113740F30	13pF
C4051	2113740F27	10pF
C4052	2113740F49	82pF
C4053	2113740F32	16pF
C4054	2113740F32	16pF
C4061	2113740F63	330pF
C4062	2113743E20	0.1uF
C4064	2113743E20	0.1uF
C4065	2113740F51	100pF
C4067	2113741F37	3300pF
C4068	2113740F51	100pF
C4069	2113741F49	0.01uF
C4201	2113740F51	100pF
C4202	2113741F49	0.01uF
C4203	2113741F49	0.01uF
C4204	2113740F51	100pF
C4205	2113741F49	0.01uF
C4206	2311049J25	10uF
C4208	2113743E20	0.1uF
C4209	2113743E20	0.1uF
C4210	2104993J02	2.2uF
C4211	2113743E20	0.1uF
C4212	2113743E05	0.018uF
C4213	2311049A09	2.2uF
C4214	2311049A09	2.2uF
C4215	2311049A09	2.2uF
C4221	2109720D01	0.01uF
C4222	2109720D14	0.1uF
C4224	0882422W23	1uF
C4225	2113741F18	510pF
C4227	2113740L16	8.2pF
C4230	2104993J02	2.2uF
C4231	2113741F49	0.01uF
C4232	2113741F49	0.01uF
C4233	2104993J02	2.2uF
C4234	2113741F49	0.01uF
C4235	2113741F49	0.01uF
C4236	2113743E12	0.047uF
C4242	2113740F51	100pF
C4243	2113740F51	100pF
C4244	2113740F51	100pF
C4245	2113740F51	100pF
C4246	2113740F51	100pF

Circuit Ref	Motorola Part No.	Description
C4251	2113743E20	0.1uF
C4252	2113741F25	1000pF
C4253	2311049A56	4.7uF
C4254	2113743E20	0.1uF
C4255	2113740F51	100pF
C4263	2113743E20	0.1uF
C4287	2113740F51	100pF
C4289	2113743E20	0.1uF
C4301	2113740F51	100pF
C4302	2113740L16	8.2pF
C4303	2113740L16	8.2pF
C4304	2113740L08	3.9pF
C4306	2113740L01	2pF
C4307	2113740F51	100pF
C4308	2113743E20	0.1uF
C4309	2113740F51	100pF
C4311	2113740F51	100pF
C4312	2113740F29	12pF
C4314	2113740F07	1.5pF
C4315	2113740F51	100pF
C4316	2109720D14	0.1uF
C4318	2113743E20	0.1uF
C4321	2113740F03	1pF
C4324	2113740L03	2.4pF
C4325	2311049A56	4.7uF
C4331	2113740L14	6.8pF
C4335	2113740F51	100pF
C4336	2113743E07	0.022uF
C4337	2113740F44	51pF
C4338	2113740F44	51pF
C4351	2113740F51	100pF
C4352	2113743E20	0.1uF
C4353	2113743E20	0.1uF
C4354	2104993J02	2.2uF
C4355	2104993J02	2.2uF
C4361	2113740F51	100pF
C4371	2113743E20	0.1uF
C4400	2113740F67	470pF
C4401	2113740F51	100pF
C4402	2113743E07	0.022uF
C4403	2113740F26	9.1pF
C4404	2113740F51	100pF
C4405	2113740F51	100pF
C4406	2113740F51	100pF
C4407	2113740F51	100pF
C4411	2113743E07	0.022uF
C4412	2113740F51	100pF
C4414	2113740F51	100pF
C4415	2113743E07	0.022uF
C4416	2113740F51	100pF
C4417	2113740F44	51pF

Circuit Ref	Motorola Part No.	Description
C4418	2113740F18	4.3pF
C4420	2113740F33	18pF
C4421	2113741A57	0.033uF
C4422	2113740A55	100pF
C4423	2311049A08	1uF
C4424	2113740F31	15pF
C4425	2113743E20	0.1uF
C4426	2113740F51	100pF
C4427	2113741F33	2200pF
C4428	2113741F33	2200pF
C4431	2111078B22	22pF
C4432	2111078B22	22pF
C4434	2113743E20	0.1uF
C4435	2113740A55	100pF
C4436	2311049A45	10uF
C4437	2113741A57	0.033uF
C4439	2111078B42	100pF
C4440	2113741F25	1000pF
C4441	2111078B11	8.2pF
C4442	2111078B22	22pF
C4444	2111078B11	8.2pF
C4445	2111078B01	3.3pF
C4448	2111078B33	43pF
C4449	2111078B33	43pF
C4451	2113741F25	1000pF
C4452	2113740F30	13pF
C4453	2113740F51	100pF
C4455	2111078B16	13pF
C4457	2111078B36	56pF
C4458	2111078B36	56pF
C4471	2113740F51	100pF
C4472	2111078B31	36pF
C4473	2111078B31	36pF
C4474	2113740F29	12pF
C4475	2113740F10	2pF
C4491	2111078B09	6.8pF
C4492	2111078B42	100pF
C4496	2111078B14	11pF
C4497	2111078B07	5.6pF
C4498	2111078B14	11pF
C4501	2113741F33	2200pF
C4502	2113741F37	3300pF
C4503	2113741F17	470pF
C4504	2113743E03	15nF
C4505	2311049A07	1uF
C4506	2113741F33	2200pF
C4507	2113740F51	100pF
C4508	2113740F51	100pF
C4510	2113740F51	100pF
CR4301	4805649Q13	DIODE, VARACTOR
CR4302	4862824C01	DIODE VARACTOR

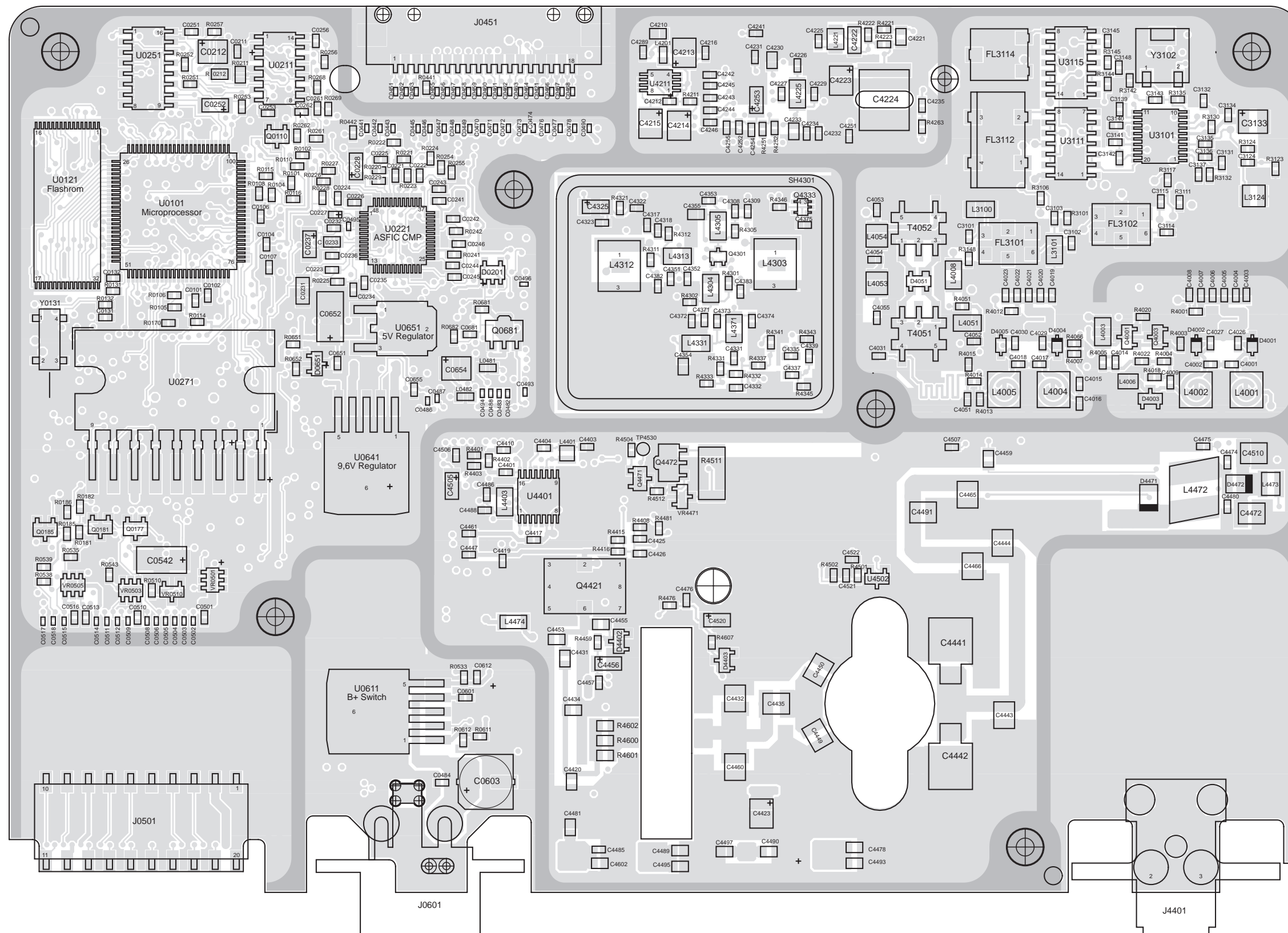
Circuit Ref	Motorola Part No.	Description	Circuit Ref	Motorola Part No.	Description	Circuit Ref	Motorola Part No.	Description	Circuit Ref	Motorola Part No.	Description
CR4303	4862824C01	DIODE VARACTOR	L4403	2462587T11	47nH	R3142	0662057A55	1.8K	R4303	0662057A12	30
CR4311	4802245J22	DIODE, VARACTOR	L4411	2462587T11	47nH	R3144	0662057A58	2.4K	R4304	0662057A31	180
CR4321	4862824C01	DIODE VARACTOR	L4421	2484657R01	57R01	R3145	0662057A61	3.3K	R4305	0662057A01	10
D3101	4880154K03	DIODE DUAL SCHOTTKY	L4422	2460591A29	6.61nH	R3146	0662057A45	680	R4311	0662057A70	7.5K
D4001	4862824C01	DIODE VARACTOR	L4436	2484657R01	57R01	R3147	0662057A75	12K	R4312	0662057A67	5.6K
D4002	4862824C01	DIODE VARACTOR	L4437	2460592A01	17nH	R3148	0662057B47	0	R4313	0662057A12	30
D4003	4880154K03	DIODE DUAL SCHOTTKY	L4471	2460591N36	43.67nH	R3151	0662057A73	10K	R4314	0662057A35	270
D4004	4862824C01	DIODE VARACTOR	L4472	2460592A01	17nH	R3152	0662057A73	10K	R4315	0662057B47	0
D4005	4862824C01	DIODE VARACTOR	L4491	2460592A01	17nH	R3153	0662057A73	10K	R4321	0662057A91	56K
D4006	4880142L01	Diode	L4492	2460592A01	17nH	R3154	0662057A73	10K	R4322	0662057A73	10K
D4007	4813833C02	DIODE, DUAL 70V	L4493	2460592A01	17nH	R4001	0662057A97	100K	R4323	0662057A97	100K
D4051	4886143B01	DIODE, MIXER	M3421	2686201B01	HEATSINK	R4002	0662057A37	330	R4331	0662057A09	22
D4201	4802233J09	DIODE, TRIPLE	Q3101	4813827A07	NPN	R4003	0662057A63	3.9K	R4341	0662057B47	0
D4221	4813825A05	DIODE	Q3102	4813827A07	NPN	R4004	0662057A59	2.7K	R4342	0662057A57	2.2K
D4451	4813825A05	DIODE	Q3141	4880214G02	NPN	R4005	0662057A73	10K	R4343	0662057A49	1K
D4471	4802482J02	DIODE	Q3151	4880048M01	NPN	R4007	0662057A25	100	R4344	0662057A01	10
D4472	4802482J02	DIODE	Q3152	4880048M01	NPN	R4012	0662057A97	100K	R4346	0662057A73	10K
FL3101	9180112R16	2 POLE 44.85 MHZ XSTAL	Q4002	4813824A17	PNP	R4013	0662057A35	270	R4347	0662057B47	0
FL3102	9180112R16	2 POLE 44.85 MHZ XSTAL	Q4003	4813827A07	NPN	R4014	0662057A01	10	R4361	0662057A31	180
FL3111	9180469V03	CERAMIC FILTER, 455KHZ	Q4004	4805921T02	DUAL NPN/PNP	R4016	0662057A61	3.3K	R4400	0662057A18	51
FL3112	9180469V06	CERAMIC FILTER, 455KHZ	Q4221	4880048M01	NPN	R4018	0662057A61	3.3K	R4401	0662057A36	300
FL3114	9180468V06	CERAMIC FILTER, 455KHZ	Q4301	4805218N63	DIODE DUAL SCHOTTKY	R4022	0662057B47	0	R4402	0662057A05	15
FL3115	9180469V04	CERAMIC FILTER, 455KHZ	Q4332	4813827A07	NPN	R4051	0662057A18	51	R4403	0662057A36	300
J4401	0986166B01	CONN_J	Q4333	4802245J50	DUAL NPN/PNP	R4052	0662057B47	0	R4404	0662057A73	10K
L3101	2462587T25	620nH	Q4411	4805921T02	DUAL NPN/PNP	R4060	0662057B10	330K	R4406	0662057A81	22K
L3111	2462587T25	620nH	Q4421	4886212B01	Bipolar power Amplifier	R4061	0662057A73	10K	R4413	0662057A61	3.3K
L3112	2462587T25	620nH	Q4422	4880048M01	NPN	R4062	0662057A53	1.5K	R4415	0662057A18	51
L4003	2462587T23	470nH	Q4441	4886163B01	Bipolar power Amplifier	R4063	0662057A39	390	R4416	0662057A18	51
L4006	2462587V24	15nH	Q4442	4880048M01	NPN	R4064	0662057A18	51	R4418	0662057A81	22K
L4008	2462587T23	470nH	Q4471	4880048M01	NPN	R4068	0662057A53	1.5K	R4421	0662057A83	27K
L4051	2462587T17	150nH	Q4472	4805128M27	PNP	R4069	0662057A49	1K	R4422	0662057A58	2.4K
L4053	2462587N46	27nH	R3101	0662057A75	12K	R4070	0662057A39	390	R4423	0662057A87	39K
L4054	2462587N43	15nH	R3102	0662057A01	10	R4071	0662057A73	10K	R4424	0662057C13	2,7
L4201	2462587Q42	390nH	R3105	0662057A25	100	R4072	0662057A73	10K	R4425	0662057C13	2,7
L4221	2462587P25	12uH	R3106	0662057A83	27K	R4201	0662057A29	150	R4426	0662057C13	2,7
L4225	2462587T40	33nH	R3107	0662057A69	6.8K	R4203	0662057A17	47	R4427	0662057C13	2,7
L4231	2462587Q20	2.2uH	R3108	0662057A44	620	R4204	0662057A17	47	R4428	0662057A58	2.4K
L4301	2462587T22	390nH	R3111	0662057A75	12K	R4211	0662057B47	0	R4429	0662057A49	1K
L4302	2462587T22	390nH	R3112	0662057A01	10	R4221	0662057A29	150	R4431	0662057C51	100
L4303	2460593C01	RESONATOR	R3113	0662057A37	330	R4222	0662057A42	510	R4432	0662057C51	100
L4304	2462587T22	390nH	R3115	0662057A39	390	R4223	0662057A21	68	R4441	0662057A87	39K
L4305	2462587T22	390nH	R3116	0662057A37	330	R4224	0662057A89	47K	R4442	0662057A57	2.2K
L4311	2462587T22	390nH	R3117	0662057A83	27K	R4225	0662057A89	47K	R4443	0662057A87	39K
L4312	2460593C01	RESONATOR	R3118	0662057A69	6.8K	R4228	0662057A89	47K	R4445	0662057A58	2.4K
L4313	2462587T22	390nH	R3123	0662057B47	0	R4241	0662057A33	220	R4446	0662057B47	0
L4331	2462587T09	33nH	R3130	0662057A18	51	R4251	0662057A87	39K	R4452	0662057A59	2.7K
L4333	2462587T22	390nH	R3132	0662057A77	15K	R4252	0662057A84	30K	R4454	0662057A73	10K
L4361	2462587T22	390nH	R3133	0662057A71	8.2K	R4261	0662057A89	47K	R4455	0662057A97	100K
L4371	2462587T13	68nH	R3134	0662057A73	10K	R4263	0662057A25	100	R4457	0683962T51	120
L4401	2460591B04	11.03nH	R3135	0662057A51	1.2K	R4301	0662057A67	5.6K	R4471	0662057A41	470
L4402	2484657R01	57R01	R3141	0662057A39	390	R4302	0662057A73	10K	R4473	0680194M18	51

Circuit Ref	Motorola Part No.	Description
R4474	0680194M18	51
R4475	0662057A73	10K
R4491	0662057A73	10K
R4501	0662057A69	6.8K
R4502	0662057A97	100K
R4504	0662057A73	10K
R4505	0662057B09	300K
R4507	0662057A80	20K
R4508	0662057A97	100K
R4509	0662057A49	1K
R4511	0662057C27	10
R4513	0680195M18	51
R4514	0680195M18	51
SH4301	2602641Y02	SHIELD
SH4302	2602641Y02	SHIELD
T4051	2505515V03	XFMR
T4052	2505515V04	XFMR
U3101	5186144B01	IC, IF
U3111	5102463J52	QUAD ANALOG SWITCH
U3115	5102463J52	QUAD ANALOG SWITCH
U4201	5185963A27	IC FRACTN
U4211	5185963A33	IC, VOLTAGE REGULATOR
U4301	5105750U54	IC, VCO
U4401	5185130C65	IC LDMOS DRIVER
U4402	5113818A01	Dual Op-Amp
U4501	5185765B28	IC POWER CONTROL
U4502	5185963A15	IC TEMPERATURE SENSOR
VR4471	4813830A15	DIODE, 5.6V
Y3101	4880606B09	2ND OSC XTAL 44.395 MHZ
Y3102	9186145B02	455KHz DISCRIMINATOR
* Y4261	Not Used	16.8MHz 75Z04
Y4262	4886182B01	TCXO 16.8MHZ

* Motorola Depot Servicing only

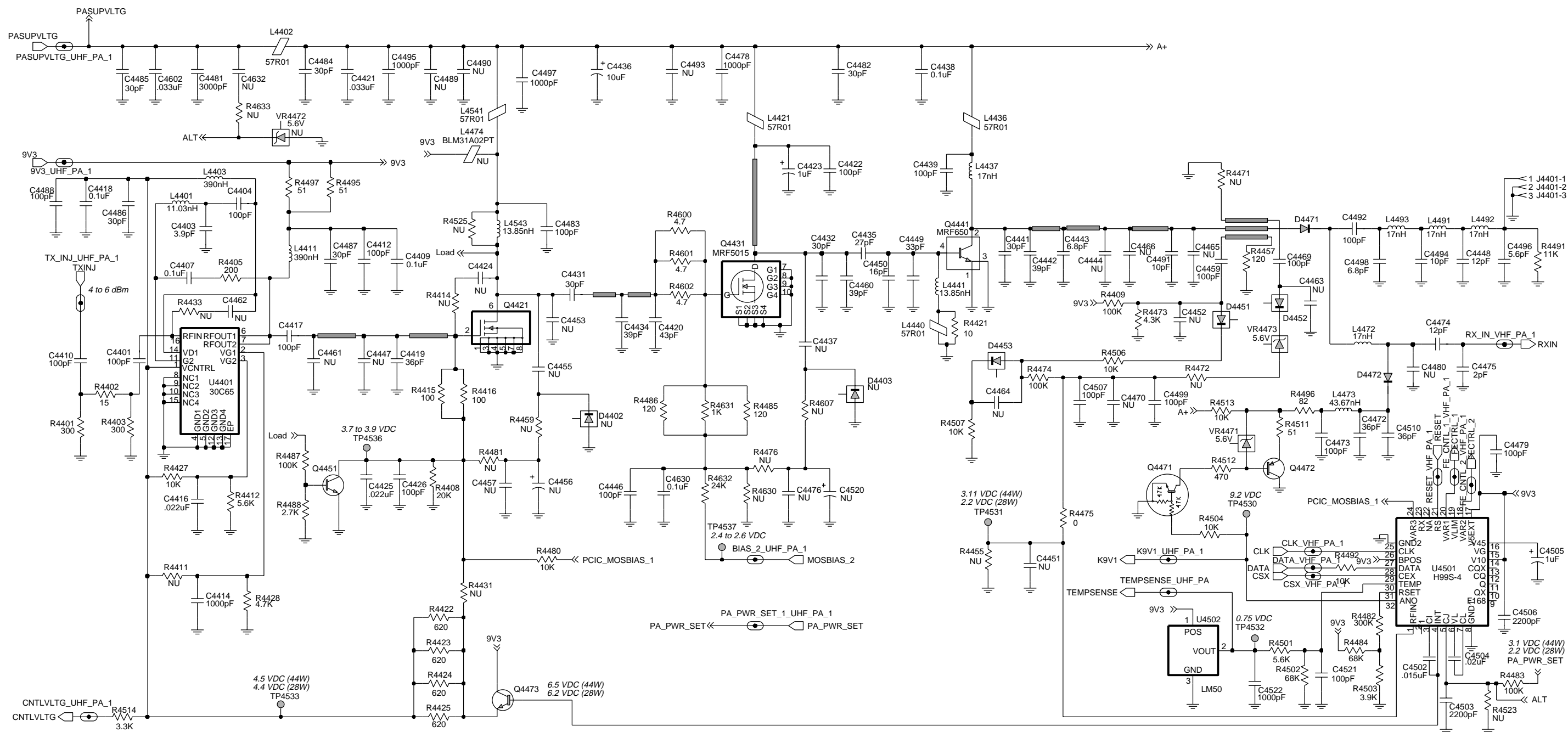
Reference designators with an asterisk indicate components which are not fieldreplaceable because they need to be calibrated with specialized factory equipment after installation. Radios in which these parts have been replaced in the field will be off frequency at temperature extremes.

3.0 UHF 25-40W PCB 8480643z06 / Schematic



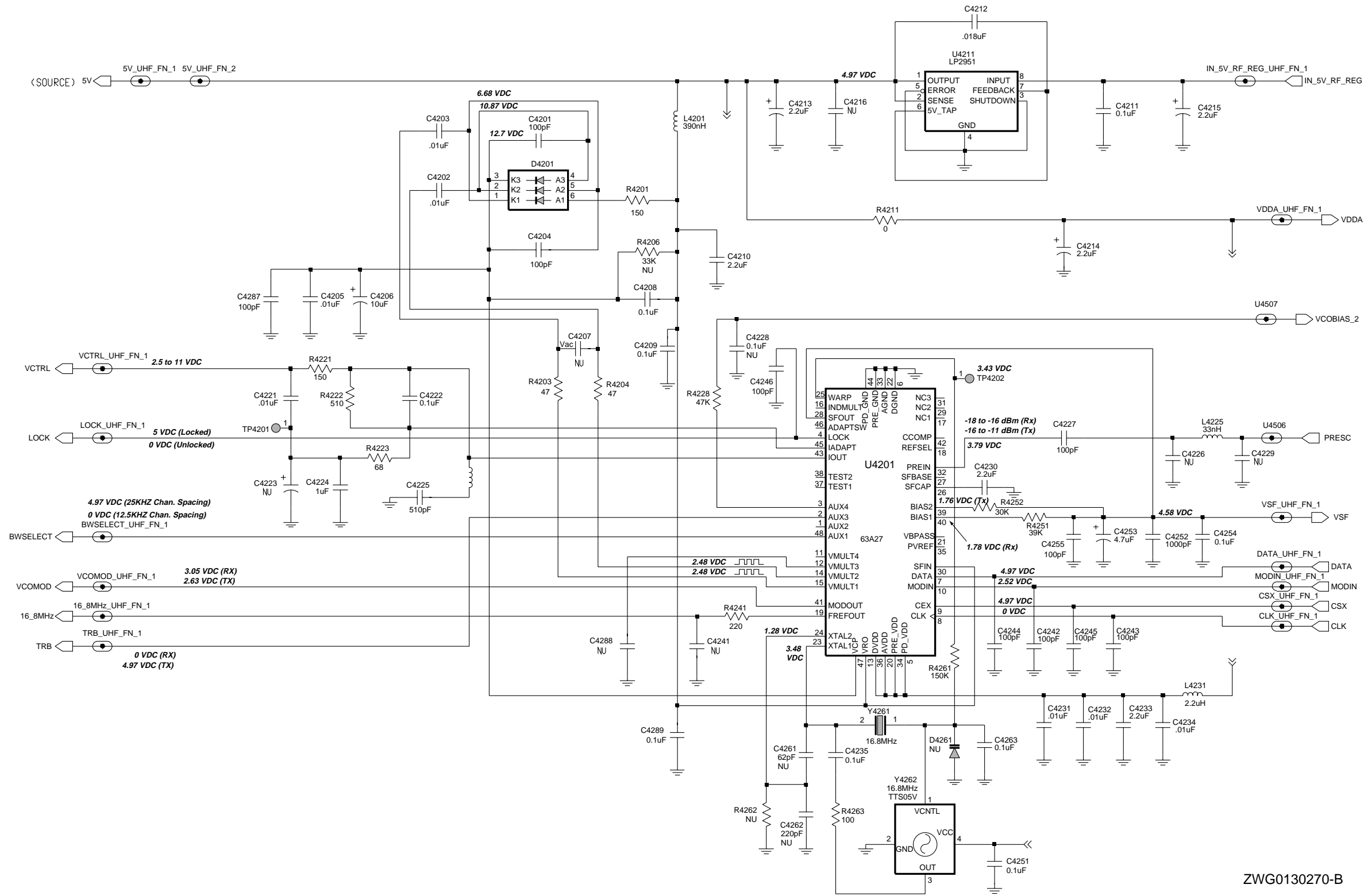
ZWG0130268-A

**UHF (403-470MHz) 25-40W
8480643z06 Top Side**



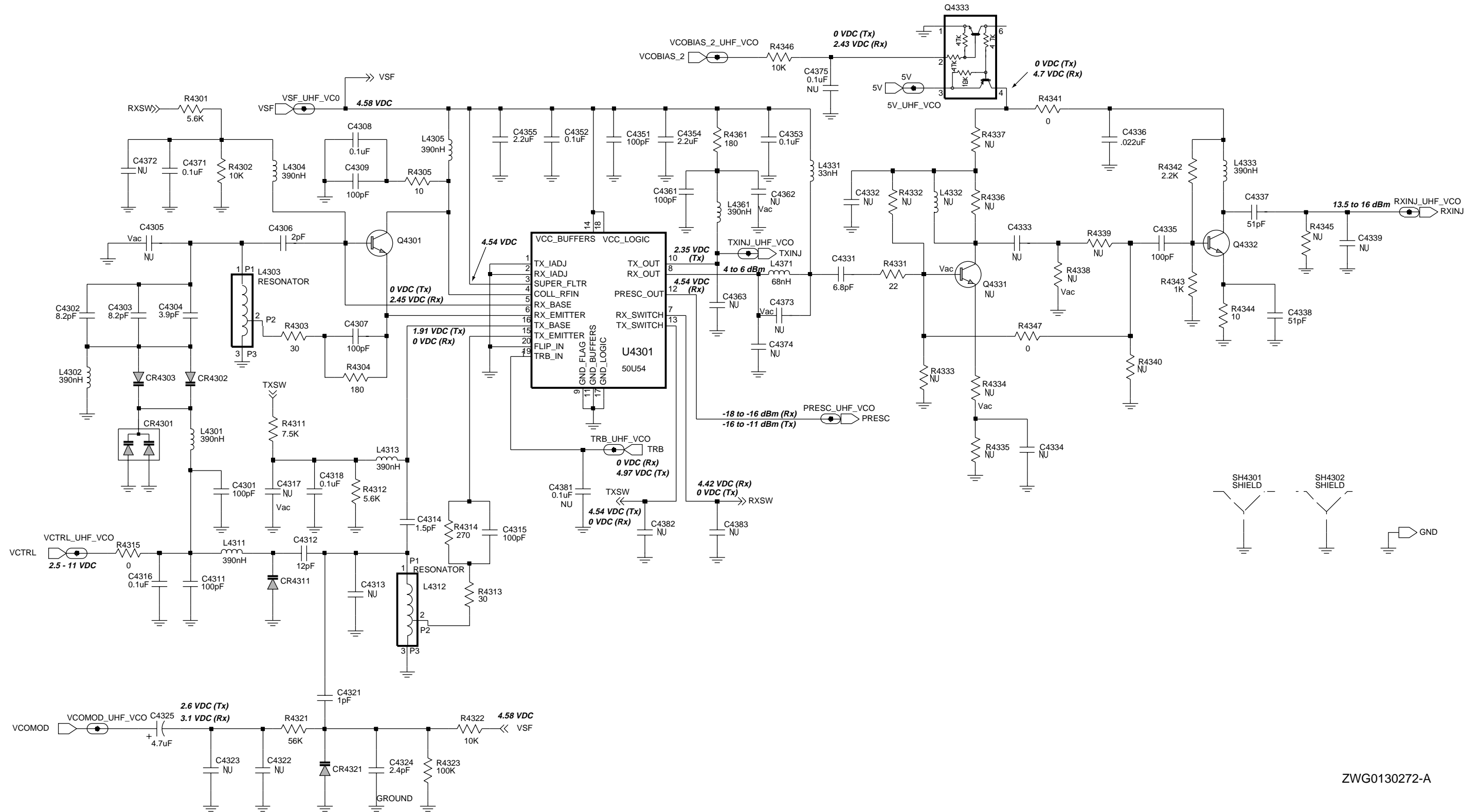
ZWG0130271-A

UHF (403-470MHz) Power Amplifier 25-40W



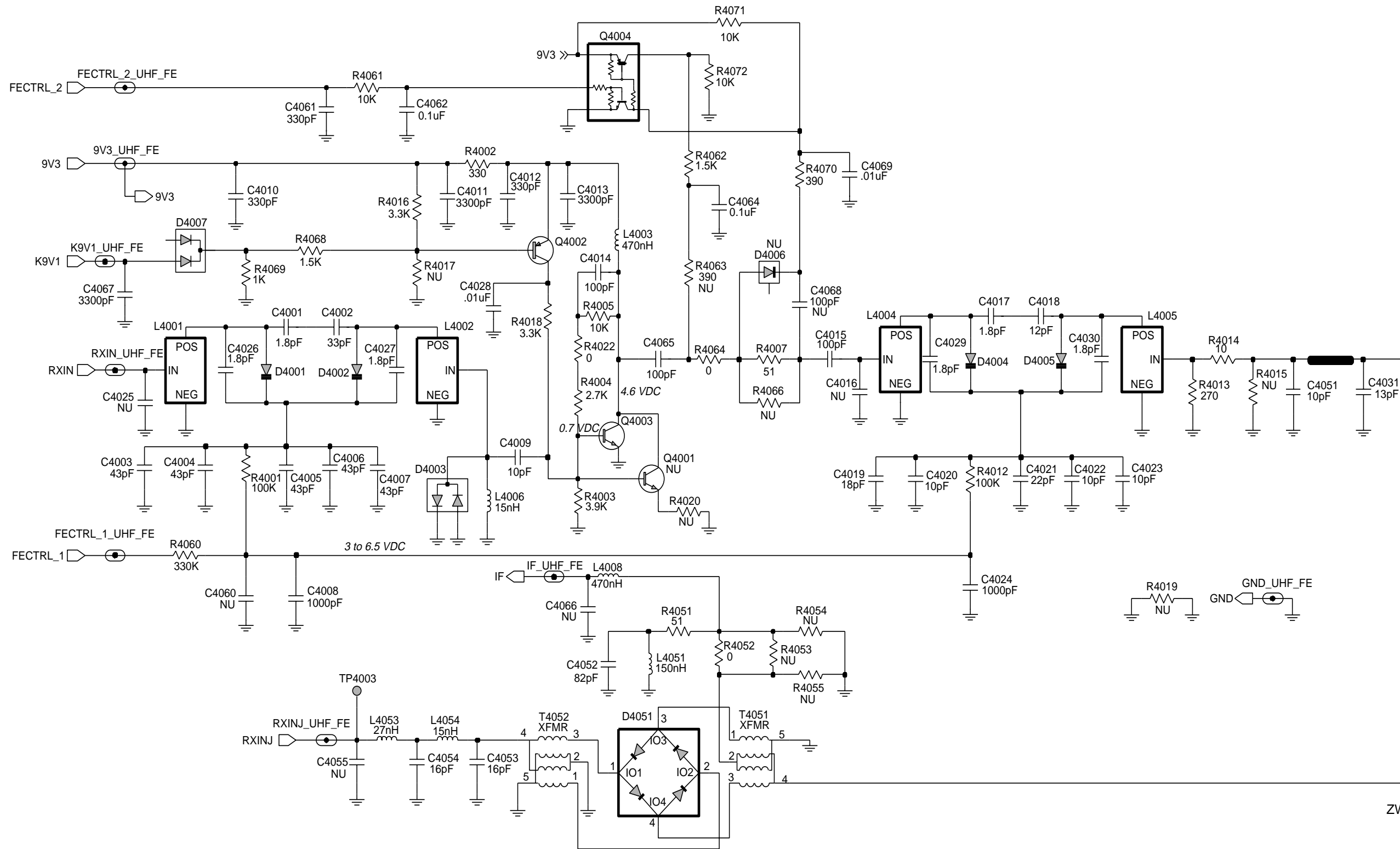
ZWG0130270-B

UHF (403-470MHz) FRACN



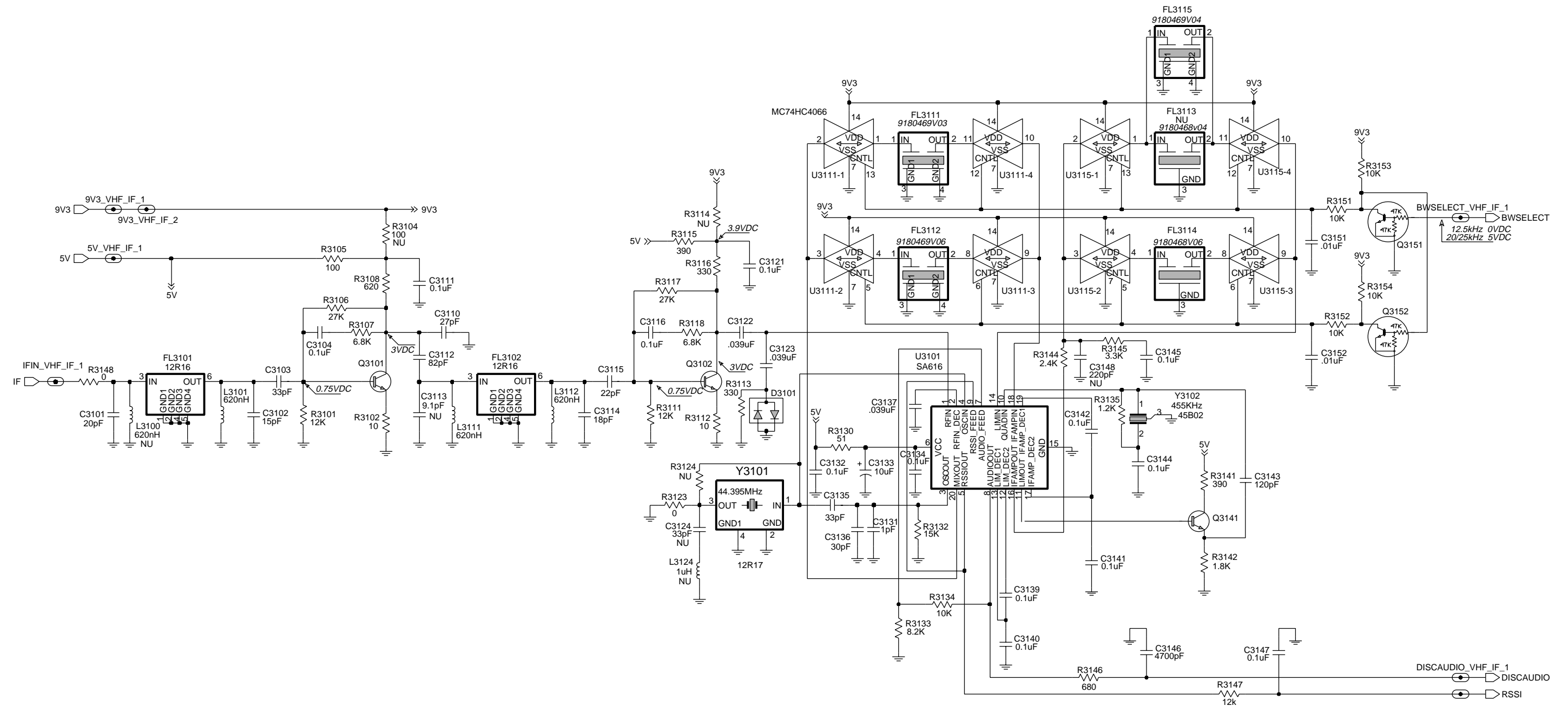
ZWG0130272-A

UHF (403-470MHz) VCO



ZWG0130269-A

UHF (403-470MHz) Receiver Front End



ZWG0130236-B

UHF (403-470MHz) IF

3.1 UHF PCB 8480643z06, 25-40W PartsList

Circuit Ref	Motorola Part No	Description
C3101	2113740F34	20pF
C3102	2113740F31	15pF
C3103	2113740F39	33pF
C3104	2113743E20	10uF
C3110	2113740F37	27pF
C3111	2113743E20	10uF
C3112	2113740F49	82pF
C3114	2113740F33	18pF
C3115	2113740F35	22pF
C3116	2113743E20	10uF
C3121	2113743E20	10uF
C3122	2113743E11	0.039uF
C3123	2113743E11	0.039uF
C3132	2113743E20	10uF
C3133	2311049A57	10uF
C3134	2113743E20	10uF
C3135	2113740L30	33pF
C3136	2113740L29	30pF
C3137	2113743E11	0.039uF
C3139	2113743E20	10uF
C3140	2113743E20	10uF
C3141	2113743E20	10uF
C3142	2113743E20	10uF
C3143	2113740F53	120pF
C3144	2113743E20	10uF
C3145	2113743E20	10uF
C3146	2113741F41	4700pF
C3147	2113743E20	10uF
C3151	2113741F49	10nF
C3152	2113741F49	10nF
C4001	2113740F09	1.8pF
C4002	2113740F39	33pF
C4003	2113740F42	43pF
C4004	2113740F42	43pF
C4005	2113740F42	43pF
C4006	2113740F42	43pF
C4007	2113740F42	43pF
C4008	2113741F25	1000pF
C4009	2113740F27	10pF
C4010	2113741F13	330pF
C4011	2113741F37	3300pF
C4012	2113741F13	330pF
C4013	2113741F37	3300pF
C4014	2113740F51	100pF
C4015	2113740F51	100pF
C4017	2113740F09	1.8pF
C4018	2113740F29	12pF
C4019	2113740F33	18pF
C4020	2113740F27	10pF
C4021	2113740F35	22pF

Circuit Ref	Motorola Part No	Description
C4022	2113740F27	10pF
C4023	2113740F27	10pF
C4024	2113741F25	1000pF
C4026	2113740F09	1.8pF
C4027	2113740F09	1.8pF
C4028	2113741F49	10nF
C4029	2113740F09	1.8pF
C4030	2113740F09	1.8pF
C4031	2113740F30	13pF
C4051	2113740F27	10pF
C4052	2113740F49	82pF
C4053	2113740F32	16pF
C4054	2113740F32	16pF
C4061	2113740F63	330pF
C4062	2113743E20	10uF
C4064	2113743E20	10uF
C4065	2113740F51	100pF
C4067	2113741F37	3300pF
C4069	2113741F49	10nF
C4201	2113740F51	100pF
C4202	2113741F49	10nF
C4203	2113741F49	10nF
C4204	2113740F51	100pF
C4205	2113741F49	10nF
C4206	2311049J25	10uF
C4208	2113743E20	10uF
C4209	2113743E20	10uF
C4210	2104993J02	2.2uF
C4211	2113743E20	10uF
C4212	2113743E05	0.018uF
C4213	2311049A09	2.2uF
C4214	2311049A09	2.2uF
C4215	2311049A09	2.2uF
C4221	2109720D01	0.01uF
C4222	2109720D14	0.01uF
C4224	0882422W23	1uF
C4225	2113741F18	510pF
C4227	2113740F51	100pF
C4230	2104993J02	2.2uF
C4231	2113741F49	10nF
C4232	2113741F49	10nF
C4233	2104993J02	2.2uF
C4234	2113741F49	10nF
C4235	2113741F49	10nF
C4242	2113740F51	100pF
C4243	2113740F51	100pF
C4244	2113740F51	100pF
C4245	2113740F51	100pF
C4246	2113740F51	100pF
C4251	2113743E20	10uF
C4252	2113741F25	1000pF

Circuit Ref	Motorola Part No	Description
C4253	2311049A56	4.7uF
C4254	2113743E20	10uF
C4255	2113740F51	100pF
C4263	2113743E20	10uF
C4287	2113740F51	100pF
C4289	2113743E20	10uF
C4301	2113740F51	100pF
C4302	2113740L16	8.2 pF
C4303	2113740L16	8.2 pF
C4304	2113740L08	3.9pF
C4306	2113740L01	2pF
C4307	2113740F51	100pF
C4308	2113743E20	10uF
C4309	2113740F51	100pF
C4311	2113740F51	100pF
C4312	2113740F29	12pF
C4314	2113740F07	1.5pF
C4315	2113740F51	100pF
C4316	2109720D14	0.01uF
C4318	2113743E20	10uF
C4321	2113740F03	1pF
C4324	2113740L03	2.4pF
C4325	2311049A56	4.7uF
C4331	2113740L14	6.8pF
C4335	2113740F51	100pF
C4336	2113743E07	0.022uF
C4337	2113740F44	51pF
C4338	2113740F44	51pF
C4351	2113740F51	100pF
C4352	2113743E20	10uF
C4353	2113743E20	10uF
C4354	2104993J02	2.2uF
C4355	2104993J02	2.2uF
C4361	2113740F51	100pF
C4371	2113743E20	10uF
C4401	2113740F51	100pF
C4403	2113740F17	3.9pF
C4404	2113740F51	100pF
C4407	2113743E20	10uF
C4409	2113743E20	10uF
C4410	2113740F51	100pF
C4412	2113740F51	100pF
C4414	2113741F25	1000pF
C4416	2113743E07	0.022uF
C4417	2113740F51	100pF
C4418	2113743E20	10uF
C4419	2113740F40	36pF
C4420	2113740A44	43pF
C4421	2113741A57	0.033uF
C4422	2113740A55	100pF
C4423	2311049A08	1uF

Circuit Ref	Motorola Part No	Description
C4425	2113743E07	0.022uF
C4426	2113740F51	100pF
C4431	2113740A40	30pF
C4432	2111078B27	30pF
C4435	2111078B25	27pF
C4436	2311049A45	10uF
C4438	2113743E20	10uF
C4439	2111078B42	100pF
C4441	2180464E40	30pF
C4442	2180464E34	39pF
C4443	2111078B09	6.8pF
C4446	2113740F51	100pF
C4448	2180464E65	12pF
C4449	2111078B29	33pF
C4450	2111078B19	16pF
C4459	2113740A55	100pF
C4460	2111078B32	39pF
C4469	2113740A55	100pF
C4472	2111078B31	43pF
C4473	2113740F51	100pF
C4474	2113740F29	12pF
C4475	2113740F10	2pF
C4478	2113741A21	1000pF
C4479	2113740F51	100pF
C4481	2113741A32	3000pF
C4482	2113740F38	30pF
C4483	2113740A55	100pF
C4484	2113740F38	30pF
C4485	2113740F38	30pF
C4486	2113740F38	30pF
C4487	2113740F38	30pF
C4488	2113740F51	100pF
C4491	2111078B13	10pF
C4492	2111078B42	100pF
C4494	2180464E63	10pF
C4495	2113741A21	1000pF
C4496	2111078B07	5.6pF
C4497	2113741A21	1000pF
C4498	2111078B09	6.8pF
C4499	2113740F51	100pF
C4502	2113743E03	0.015uF
C4503	2113741F33	2200pF
C4504	2113743E06	0.020uF
C4505	2311049A07	1uF
C4506	2113741F33	2200pF
C4507	2113740F51	100pF
C4510	2111078B31	43pF
C4521	2113740F51	100pF
C4522	2113741F25	1000pF
C4602	2113741A57	0.033uF
C4630	2113743E20	10uF

Circuit Ref	Motorola Part No	Description
C4632	2113741F25	1000pF
CR4301	4805649Q13	DIODE, VARACTOR
CR4302	4862824C01	DIODE VARACTOR
CR4303	4862824C01	DIODE VARACTOR
CR4311	4802245J22	DIODE, VARACTOR
CR4321	4862824C01	DIODE VARACTOR
D3101	4880154K03	DIODE DUAL SCHOTTKY
D4001	4862824C01	DIODE VARACTOR
D4002	4862824C01	DIODE VARACTOR
D4003	4880154K03	DIODE DUAL SCHOTTKY
D4004	4862824C01	DIODE VARACTOR
D4005	4862824C01	DIODE VARACTOR
D4007	4813833C02	DIODE, DUAL 70V
D4051	4886143B01	DIODE, MIXER
D4201	4802233J09	DIODE, TRIPLE
D4451	4813825A05	DIODE
D4452	4813825A05	DIODE
D4453	4813825A05	DIODE
D4471	4802482J02	DIODE
D4472	4802482J02	DIODE
FL3101	9180112R16	2 POLE 44.85 MHZ XSTAL
FL3102	9180112R16	2 POLE 44.85 MHZ XSTAL
FL3111	9180469V03	CERAMIC FILTER, 455KHz
FL3112	9180469V06	CERAMIC FILTER, 455KHz
FL3114	9180468V06	CERAMIC FILTER, 455KHz
FL3115	9180469V04	CERAMIC FILTER, 455KHz
L3101	2462587T25	620nH
L3111	2462587T25	620nH
L3112	2462587T25	620nH
L4003	2462587T23	470nH
L4006	2462587V24	15nH
L4008	2462587T23	470nH
L4051	2462587T17	150nH
L4053	2462587N46	27nH
L4054	2462587N43	15nH
L4201	2462587Q42	390nH
L4221	2462587P25	12uH
L4225	2462587T40	33nH
L4231	2462587Q20	2.2uH
L4301	2462587T22	390nH
L4302	2462587T22	390nH
L4303	2460593C01	RESONATOR
L4304	2462587T22	390nH
L4305	2462587T22	390nH
L4311	2462587T22	390nH
L4312	2460593C01	RESONATOR
L4313	2462587T22	390nH
L4331	2462587T09	33nH
L4333	2462587T22	390nH
L4361	2462587T22	390nH
L4371	2462587T13	68nH

Circuit Ref	Motorola Part No	Description
L4401	2460591B04	11.03nH
L4402	2484657R01	Ferrite Bead
L4403	2462587T22	390nH
L4411	2462587T22	390nH
L4421	2484657R01	Ferrite Bead
L4436	2484657R01	Ferrite Bead
L4437	2460592A01	17nH
L4440	2484657R01	Ferrite Bead
L4441	2460591C23	13.85nH
L4472	2460592A01	17nH
L4473	2460591N36	43.67nH
L4491	2460592A01	17nH
L4492	2460592A01	17nH
L4493	2460592A01	17nH
L4541	2484657R01	Ferrite Bead
L4543	2460591C23	13.85nH
Q3101	4813827A07	NPN
Q3102	4813827A07	NPN
Q3141	4880214G02	NPN
Q3151	4880048M01	NPN
Q3152	4880048M01	NPN
Q4002	4813824A17	PNP
Q4003	4813827A07	NPN
Q4004	4805921T02	DUAL NPN/PNP
Q4301	4805218N63	DIODE DUAL SCHOTTKY
Q4332	4813827A07	NPN
Q4333	4802245J50	DUAL NPN/PNP
Q4421	5105385Y91	POWER AMPLIFIER
Q4431	4805537W01	Bipolar Power Amplifier
Q4441	4880225C30	Bipolar power Amplifier
Q4451	4880214G02	NPN
Q4471	4880048M01	NPN
Q4472	4805128M27	PNP
Q4473	4880214G02	NPN
R3101	0662057A75	12K
R3102	0662057A01	10
R3105	0662057A25	100
R3106	0662057A83	27K
R3107	0662057A69	6800
R3108	0662057A44	620
R3111	0662057A75	12K
R3112	0662057A01	10
R3113	0662057A37	330
R3115	0662057A39	390
R3116	0662057A37	330
R3117	0662057A83	27K
R3118	0662057A69	6800
R3130	0662057A18	51
R3132	0662057A77	15K
R3133	0662057A71	8200
R3134	0662057A73	10K

Circuit Ref	Motorola Part No	Description
R3135	0662057A51	1200
R3141	0662057A39	390
R3142	0662057A55	1800
R3144	0662057A58	2400
R3145	0662057A61	3300
R3146	0662057A45	680
R3147	0662057A75	12K
R3148	0662057B47	0
R3151	0662057A73	10K
R3152	0662057A73	10K
R3153	0662057A73	10K
R3154	0662057A73	10K
R4001	0662057A97	100K
R4002	0662057A37	330
R4003	0662057A63	3900
R4004	0662057A59	2700
R4005	0662057A73	10K
R4007	0662057A18	51
R4012	0662057A97	100K
R4013	0662057A35	270
R4014	0662057A01	10
R4016	0662057A61	3300
R4018	0662057A61	3300
R4022	0662057B47	0
R4051	0662057A18	51
R4052	0662057B47	0
R4060	0662057B10	330K
R4061	0662057A73	10K
R4062	0662057A53	1500
R4064	0662057B47	0
R4068	0662057A53	1500
R4069	0662057A49	1000
R4070	0662057A39	390
R4071	0662057A73	10K
R4072	0662057A73	10K
R4201	0662057A29	150
R4203	0662057A17	47
R4204	0662057A17	47
R4211	0662057B47	0
R4221	0662057A29	150
R4222	0662057A42	510
R4223	0662057A21	68
R4228	0662057A89	47K
R4241	0662057A33	220
R4251	0662057A87	39K
R4252	0662057A84	30K
R4261	0662057A89	47K
R4263	0662057A25	100
R4301	0662057A67	5600
R4302	0662057A73	10K
R4303	0662057A12	30

Circuit Ref	Motorola Part No	Description
R4304	0662057A31	180
R4305	0662057A01	10
R4311	0662057A70	7500
R4312	0662057A67	5600
R4313	0662057A12	30
R4314	0662057A35	270
R4315	0662057B47	0
R4321	0662057A91	56K
R4322	0662057A73	10K
R4323	0662057A97	100K
R4331	0662057A09	22
R4341	0662057B47	0
R4342	0662057A57	2200
R4343	0662057A49	1000
R4344	0662057A01	10
R4346	0662057A73	10K
R4347	0662057B47	0
R4361	0662057A31	180
R4401	0662057A36	300
R4402	0662057A05	15
R4403	0662057A36	300
R4405	0662057A32	200
R4408	0662057A80	20K
R4409	0662057A97	100K
R4412	0662057A67	5600
R4415	0662057A25	100
R4416	0662057A25	100
R4421	0680194M01	10
R4422	0611079A69	620
R4423	0611079A69	620
R4424	0611079A69	620
R4425	0611079A69	620
R4427	0662057A73	10K
R4428	0662057A65	4300
R4457	0683962T51	120
R4473	0662057A64	4300
R4474	0662057A97	100K
R4475	0662057B47	0
R4480	0662057A73	10K
R4482	0662057B09	300K
R4483	0662057A97	100K
R4484	0662057A93	68K
R4485	0662057C53	120
R4486	0662057C53	120
R4487	0662057A97	100K
R4488	0662057A59	2700
R4491	0662057A74	11K
R4492	0662057A73	10K
R4495	0680195M18	51
R4496	0680194M23	82
R4497	0680195M18	51

Circuit Ref	Motorola Part No	Description
R4501	0662057A67	5600
R4502	0662057A93	68K
R4503	0662057A63	3900
R4504	0662057A73	10K
R4506	0662057A73	10K
R4507	0662057A73	10K
R4511	0680194M18	51
R4512	0662057A41	470
R4513	0662057A73	10K
R4514	0662057A61	3300
R4600	0662057C19	4.7
R4601	0662057C19	4.7
R4602	0662057C19	4.7
R4631	0662057A49	1000
R4632	0662057A82	24K
SH4301	2602641Y02	SHIELD
SH4302	2602641Y02	SHIELD
T4051	2505515V03	XFMR MIXER 4:1
T4052	2505515V04	XMFR MIXER 5:1
U3101	5186144B01	IC, IF
U3111	5102463J52	QUAD ANALOG SWITCH
U3115	5102463J52	QUAD ANALOG SWITCH
U4201	5185963A27	IC FRACTN
U4211	5185963A33	IC, VOLTAGE REGULATOR
U4301	5105750U54	IC, VCO
U4401	5105109Z67	IC LDMOS DRIVER
U4501	5185765B28	IC POWER CONTROL
U4502	5185963A15	IC TEMPERATURE SENSOR
VR4471	4813830A15	DIODE, 5.6V
VR4473	4813830A15	DIODE, 5.6V
Y3101	4880606B09	2ND OSC XTAL 44.395 MHZ
Y3102	9186145B02	455KHz DISCRIMINATOR
Y4262	4886182B01	TCXO 16.8MHZ

* Motorola Depot Servicing only

Reference designators with an asterisk indicate components which are not fieldreplaceable because they need to be calibrated with specialized factory equipment after installation. Radios in which these parts have been replaced in the field will be off frequency at temperature extremes.